

## CF SUPPORT PACKER

ECONOMICAL AND STURDY.



The CF support packer is a combination of strength with excellent thermal insulation and very low weight. The material provides excellent thermal performance adequate support for the threshold and also allows the packer to be easily and securely fixed to the building substrate and the threshold profiles. Thanks to the stable, waterproof construction material, attachment from all sides are possible.

### SPECIFICATIONS:

- Supplied in standard lengths of 2350mm and in any length, to order, up to a maximum of 6000mm.
- Can be supplied in any height, to order, up to a maximum of 400mm.
- Can also be produced as a stacking packer variant which can be glued and screwed together on to achieve the required dimension.
- Plates 2350x1160x40-150mm (L, W, thickness)

THE SURFACE CAN ALSO BE CAPPED WITH A WHITE OR GREY PVC-U EXTERNAL FACE.

STANDARD PRODUCTION DETAILS FOR Siegenia, Aluplast, Profine and Maco to name a few. Other systems available on request.

### SEALING DETAIL:

The external face must be sealed with a suitable sealing system. See our data sheet for approved liquid waterproofing suppliers and products. Torch-on or heat gun applied bitumen sealing membranes can be used in accordance with the directions and recommendations on the sealing detail application sheet

TESTED ACCORDING TO ETB

TIMBER FREE MATERIAL

WILL NOT ROT

RESISTANT TO MOISTURE AND THE EFFECTS OF FREEZE THAW

EXCELLENT INSULATION PROPERTIES

### Technical data **CF**eco

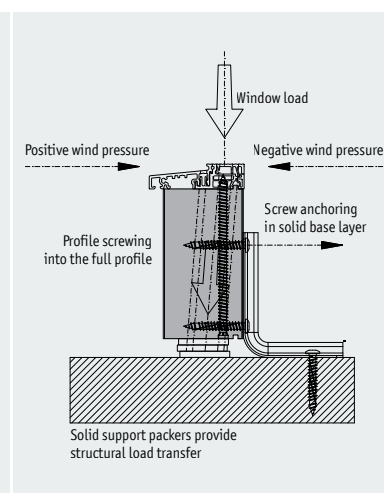
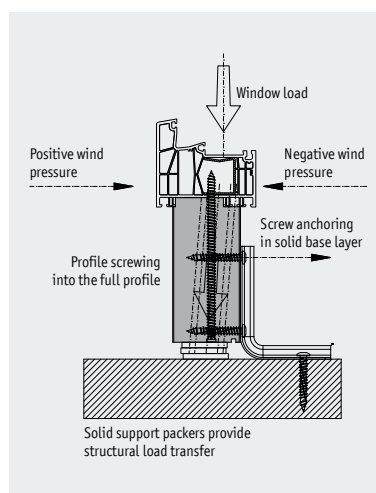
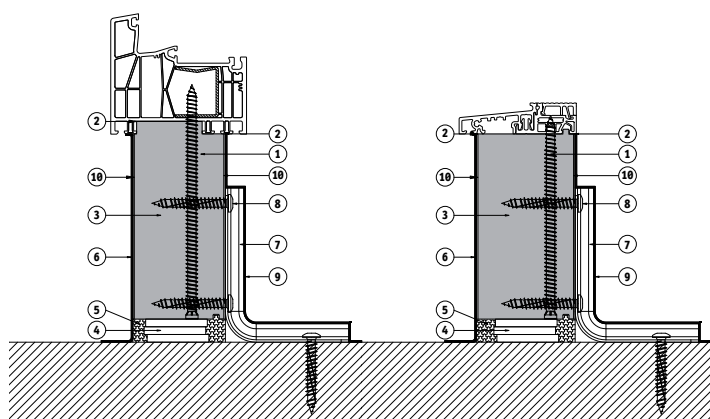
Thicknesses	40 mm	45 mm	50 mm	55 mm	60 mm	65 mm	70 mm	75 mm	80 mm	85 mm	90 mm	95 mm	100
U-Value (W/m <sup>2</sup> K)	1,13	1,00	0,90	0,82	0,75	0,70	0,64	0,60	0,56	0,53	0,50	0,47	0,45
Screw-pull out resistance	825 N												
Packing shim in mm	60x40	53x66	53x140	53x170	53x210								
max. glass panel load in kg	283,80	376,00	877,40	1065,40	1316,00								
Fire class DIN 4102-1 / EN 13501-1	B1/E												

## Installation variant with highly insulating substructure insulation profiles suitable for all door thresholds and window frames.

- 1 Window frame screw 7.5mm – Pre-drilling is not required in the substructure profile. Spacings and fixing lengths are determined by the structural performance requirements.
- 2 Joints are bonded with MS polymer adhesive or adhesive tape
- 3 CFeco provides excellent structural support
- 4 Packing shims
- 5 The gap between the packers must be filled with insulating foam or cementitious grout depending on the thermal detail of the installation
- 6 The external face must be sealed in accordance with the data sheet using a liquid plastic or bitumen membrane, please refer to approved supplier list
- 7 Mounting brackets fixed in accordance with structural requirements
- 8 Window frame fixing screws 7.5mm flat head
- 9 Sealing inside must be in accordance with the building design criteria
- 10 PVC-U to the visible face (Option)

- > Due to the high stability of CF substructure insulation profiles, the forces are securely transferred through the support material to the building substrate.
- > Wind pressure, Wind suction, static and moving load forces are transferred through the support material to the substrate and the fixing brackets.
- > Pre-drilling is not required in the substructure profile

Installation with highly insulating substructure insulation profile  
System suitable for all common PVC window systems / door thresholds



Your contact to COMPACFOAM

COMPACFOAM Main Office and Production:  
Resselstraße 7 - 11  
2120 Wolkersdorf, Austria  
Phone: +43 [0] 2245 / 20 8 02  
E-Mail: office@compacfoam.com

